

SWINGABLE OVERHANG

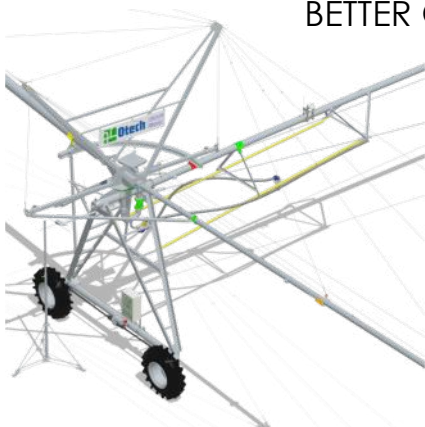
ST4004



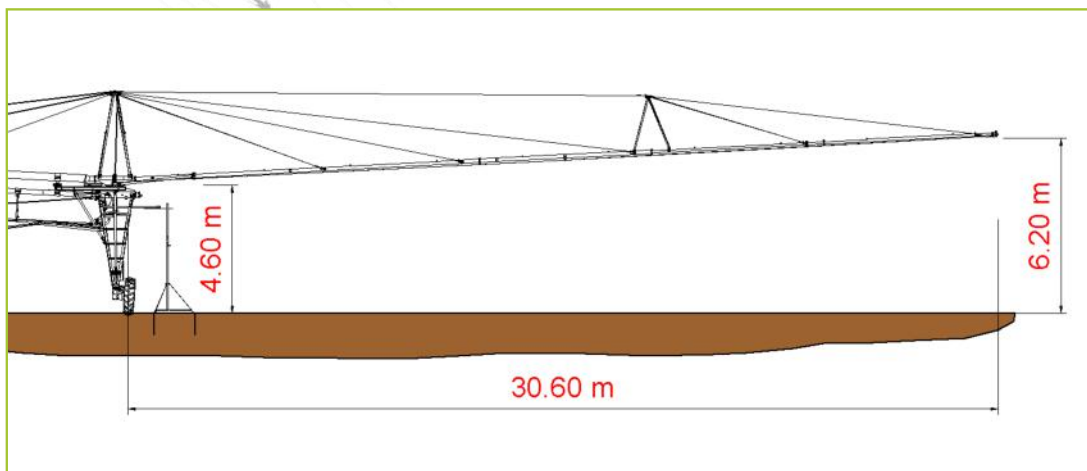
- FLEXIBILITY
- OPTIMIZED IRRIGATED AREA
- FULLY AUTOMATED
- ECONOMY



BETTER OPTIMIZATION OF IRRIGATED AREA



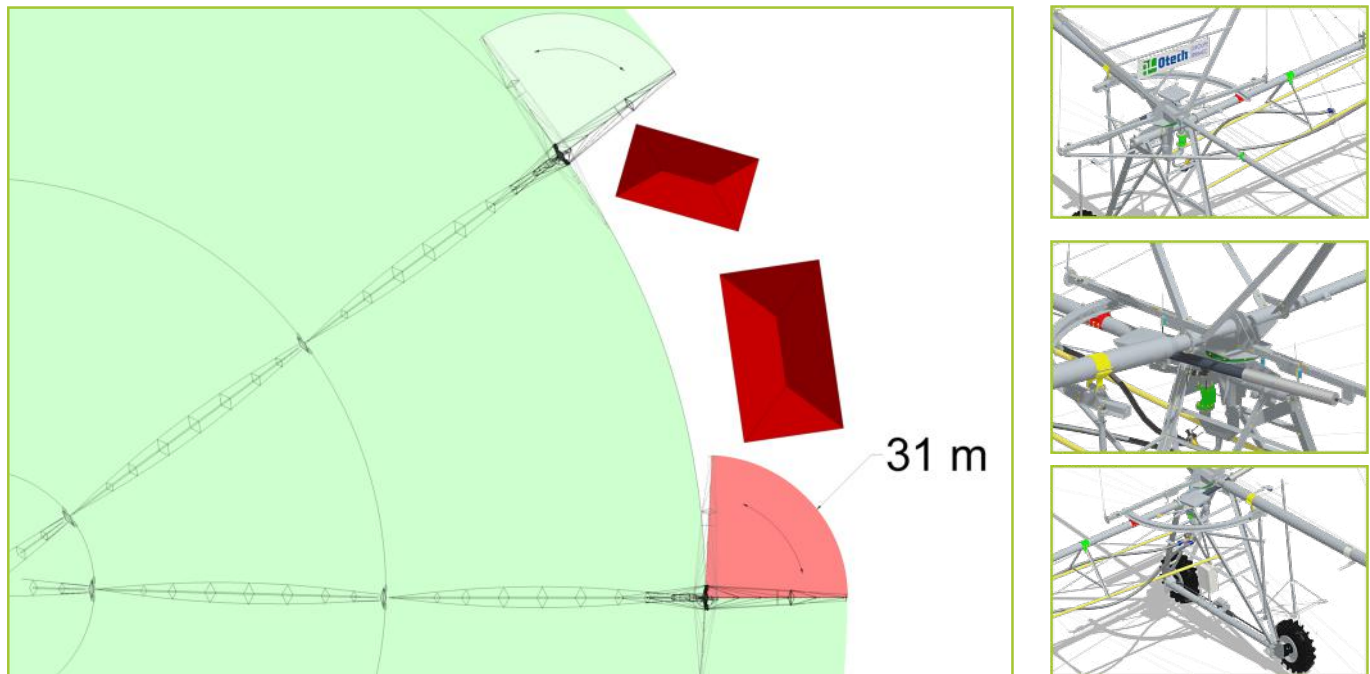
The Swingable overhang made by OTECH can increase the irrigated area of a pivot or a ramp avoiding obstacles automatically. Sprinklers and the gun located on the overhang were arrested while the rest of the unit continues to irrigate the area of the obstacle. In some cases, an extra gun can be mounted on the tower to gain some irrigated surface.



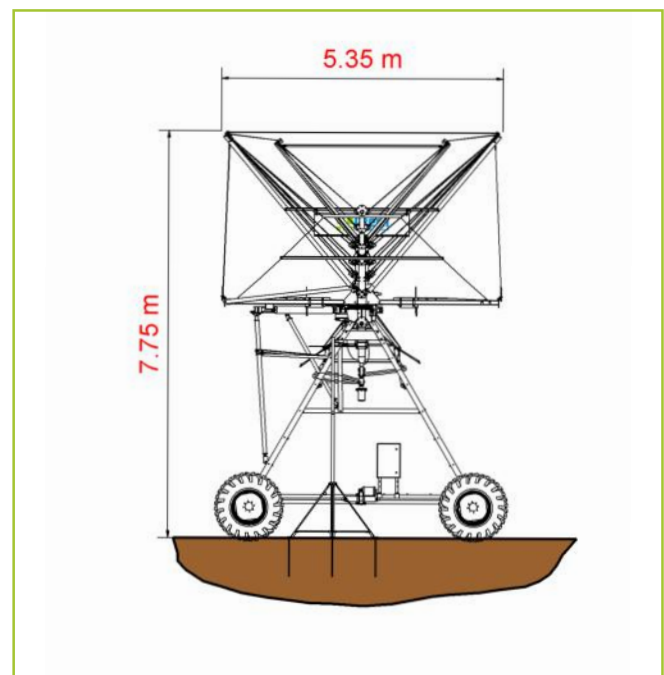
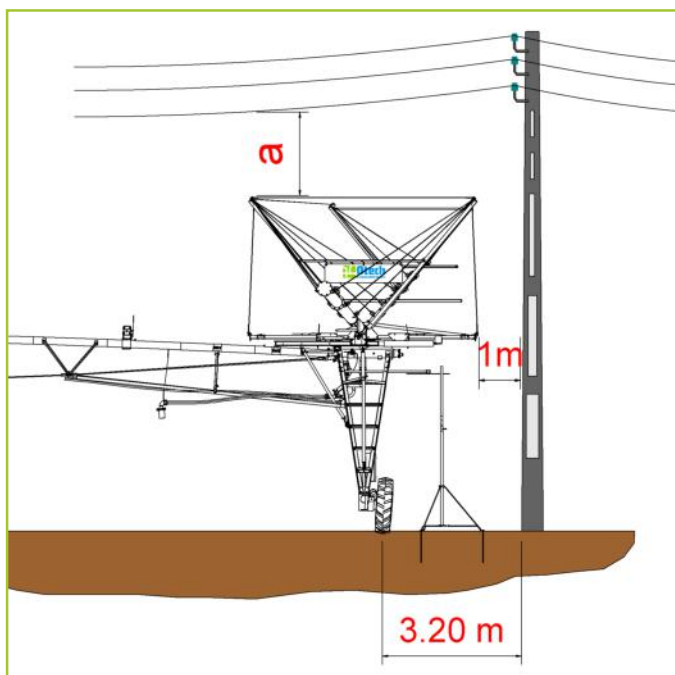
Fold to 87°

The swingable overhang is equipped with an electric actuator allowing it to fold to 87 degrees counter-clockwise.

For this reason, it is necessary to consider the fold zone of a radius of about 31 m (red below) for adjustment of the stops. The obstacle to be avoided must be outside of this area.



Overall dimensions in folded and unfolded positions



In the case of a run under a powerline, contact the energy supplier to determine the minimum distance "a" acceptable from the cables.